

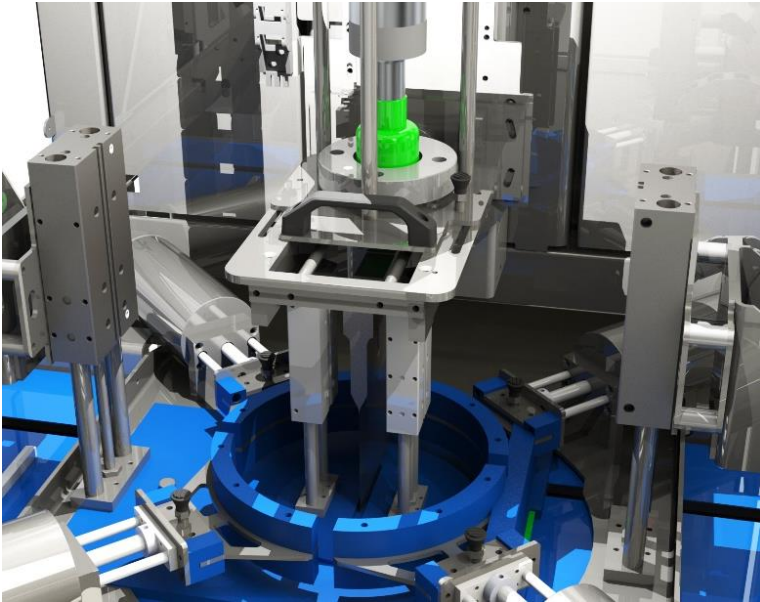
autoSONIC-Inline RS

Ultrasonic Slicing Machine

newtech
— intelligent automation —

The **autoSONIC-Inline RS** is a highly flexible, in-line cutting machine incorporating ultrasonic cutting technology. It is designed to portion **round and stick cheese**. As a conveyor-based machine, it can be integrated into an existing line or used as a stand-alone solution.





Key Features

- Designed for round and stick cheese
- Servo driven rotary axis and cutting head
- Operated via full Colour touch screen with user friendly interface and easy-to-edit programs
- 3 user log in levels – Operator, Supervisor and Engineer
- 20kHz ultrasonic titanium blade
- Remote access capability

Services Required

- 3 phase electrical supply 400VAC(3PH+N+E) \ 50Hz \ 16A
- 6 bar Air
- Ethernet Connection for Remote Access

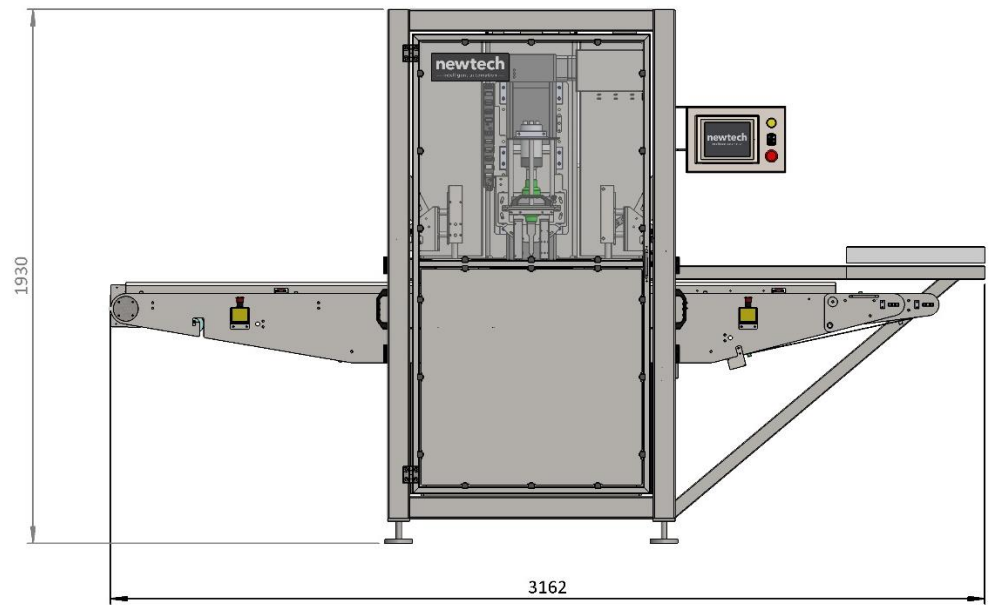
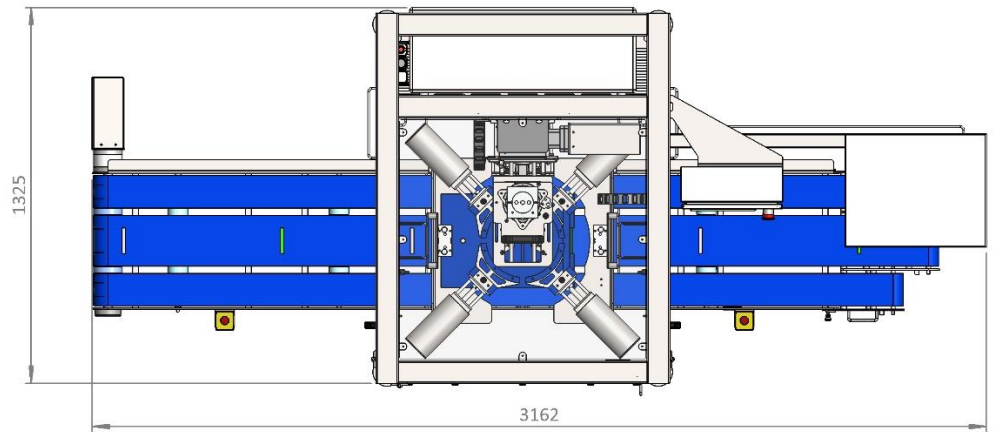
Machine Dimensions (L x D x H)

- 3162 x 1325 x 1930mm

Additional Features

- Integrated with Weigh Scale – allowing individual products to be weighed prior to processing
- Servo driven centralising guides to position and hold round products during the cutting process
- Fixed portion and fixed weight operating modes
- Fully Stainless Steel construction & food grade plastics
- Quick-release conveyor belt for ease of removal
- Range of blade size options to suit your application
- 3D Vision available as an optional extra

Machine Layout





newtech intelligent automation

Stoke Mill, Mill Road, Sharnbrook, Bedfordshire, England, MK44 1NP

Tel: +44(0)1234 783680 Fax: +44(0)1234 782093