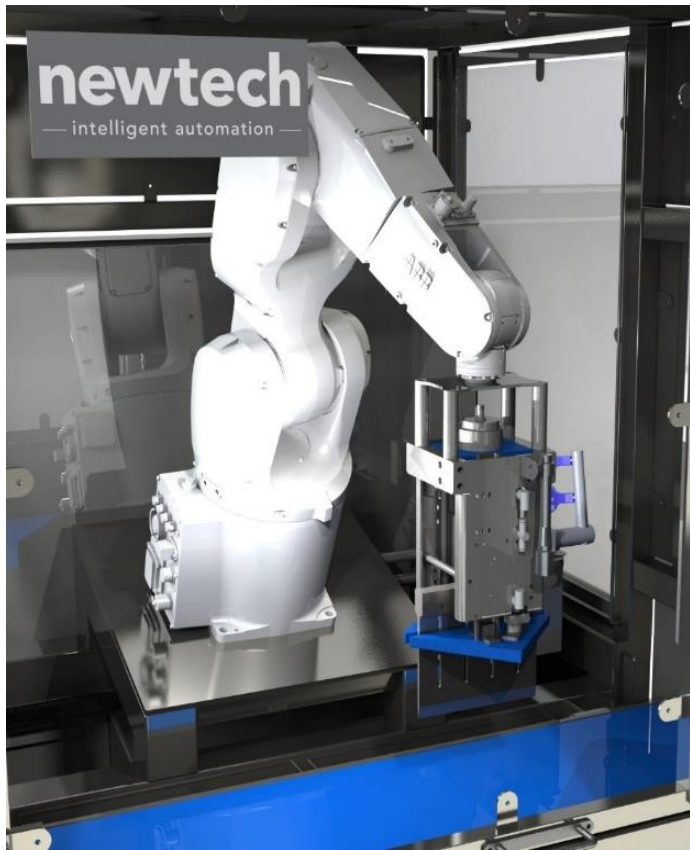


RoboSONIC-I Vision Ultrasonic Slicing Machine

newtech
— intelligent automation —

The **roboSONIC-I Vision** is an intelligent, in-line robotic cutting machine incorporating ultrasonic cutting and vision technology. It is designed to portion **sandwiches, wraps and ciabatta**. As a conveyor-based machine, it can be integrated into an existing line or used as a stand-alone solution.





Key Features

- Designed for sandwiches, wraps and ciabatta – pre-configured with programmes to cut halves, quarters and de-crust
- 6-Axis robot providing flexibility, reliability and accuracy
- Vision System to detect product position and orientation
- Conveyor tracking for continuous slicing
- Operated via full Colour touch screen with user friendly interface and easy-to-edit programs
- 3 user log in levels – Operator, Supervisor and Engineer
- Ultrasonic titanium blade
- Integrated cleaning tank with air-dry
- Remote access capability

Services Required

- Single Phase 230V 16A
- 6 bar Air
- Mains Water Supply for Cleaning Tank
- Ethernet Connection for Remote Access

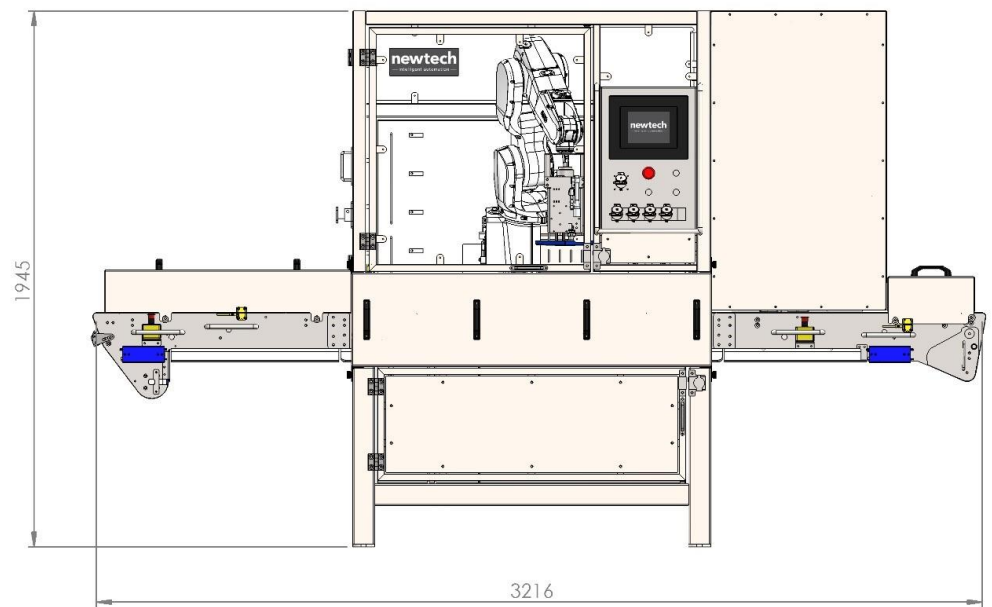
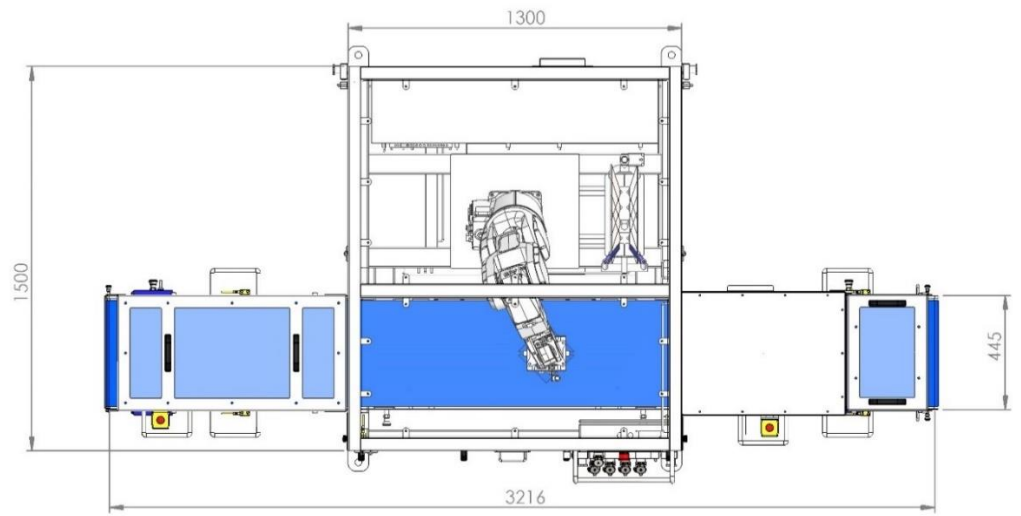
Machine Dimensions (L x D x H)

- 3216 x 1500 x 1945mm

Additional Features

- Fully Stainless Steel construction & food grade plastics
- Quick-release conveyor belt for ease of removal
- Range of blade size options to suit your application

Machine Layout





newtech intelligent automation

Stoke Mill, Mill Road, Sharnbrook, Bedfordshire, England, MK44 1NP

Tel: +44(0)1234 783680 Fax: +44(0)1234 782093