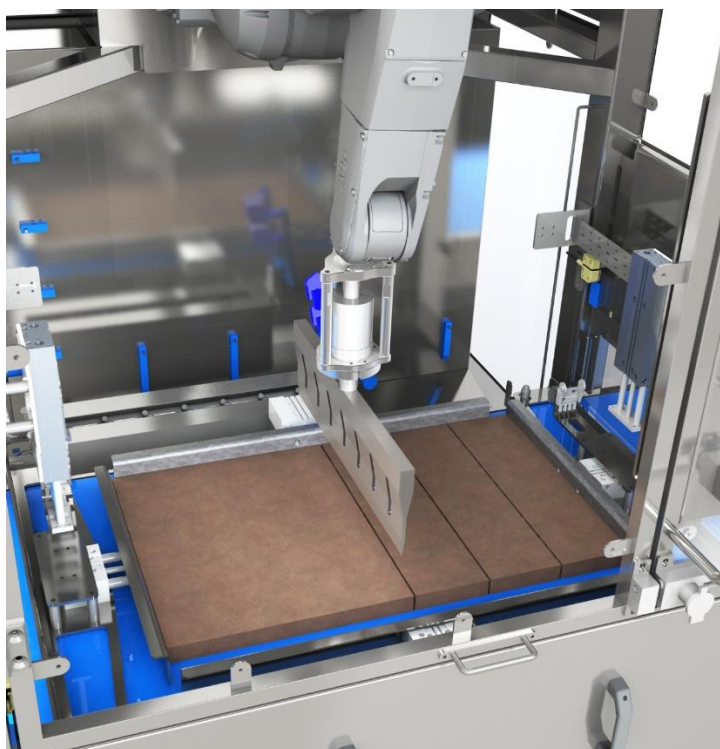


# RoboSONIC-Inline Ultrasonic Slicing Machine

**newtech**  
— intelligent automation —

The **roboSONIC-Inline** is a highly flexible, in-line robotic cutting machine incorporating ultrasonic cutting technology. It is designed to portion **tray bake, round, and loaf** type products. As a conveyor-based machine, it can be integrated into an existing line or used as a stand-alone solution.





### Key Features

- Designed for cutting tray brake, round and loaf type products
- 6-Axis robot providing flexibility, reliability and accuracy
- Operated via full Colour touch screen with user friendly interface and easy-to-edit programs
- 3 user log in levels – Operator, Supervisor and Engineer
- 20kHz 500mm ultrasonic titanium blade
- Integrated cleaning tank with air-dry
- Remote access capability

### Services Required

- Single Phase 230V 16A
- 6 bar Air
- Mains Water Supply for Cleaning Tank
- Ethernet Connection for Remote Access

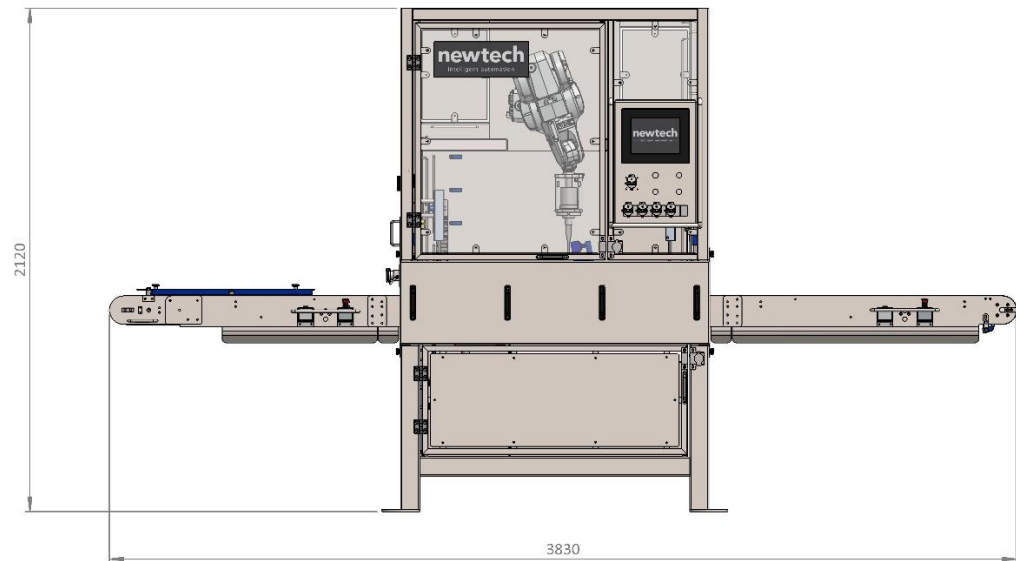
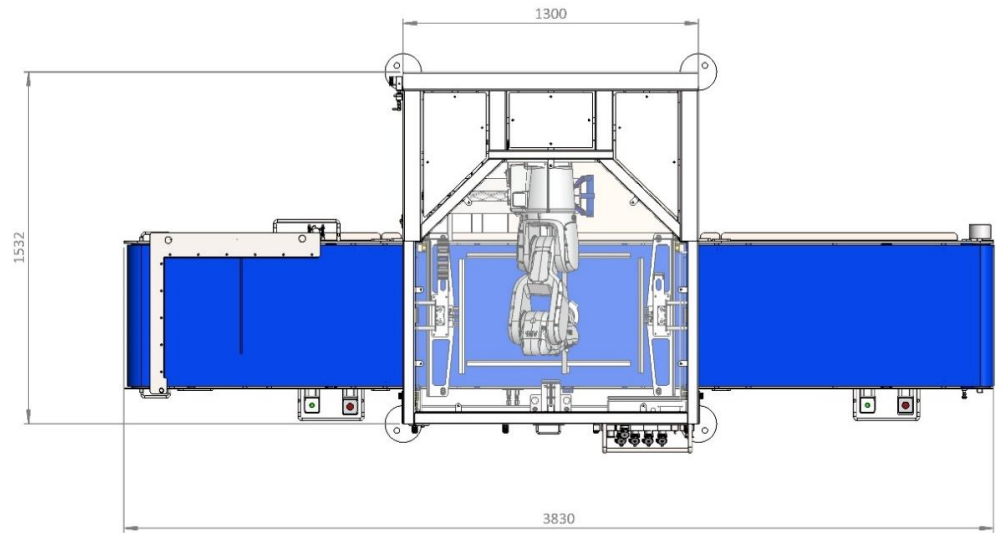
### Machine Dimensions (L x D x H)

- 3830 x 1532 x 2120mm

### Additional Features

- Cut on the belt or on product boards
- Fully Stainless Steel construction & food grade plastics
- Quick-release conveyor belt for ease of removal
- Range of blade size options to suit your application
- Head change over available as an optional extra
- Also available with a mechanical blade

## Machine Layout





## newtech intelligent automation

Stoke Mill, Mill Road, Sharnbrook, Bedfordshire, England, MK44 1NP

Tel: +44(0)1234 783680 Fax: +44(0)1234 782093

[www.newtech-ltd.co.uk](http://www.newtech-ltd.co.uk)