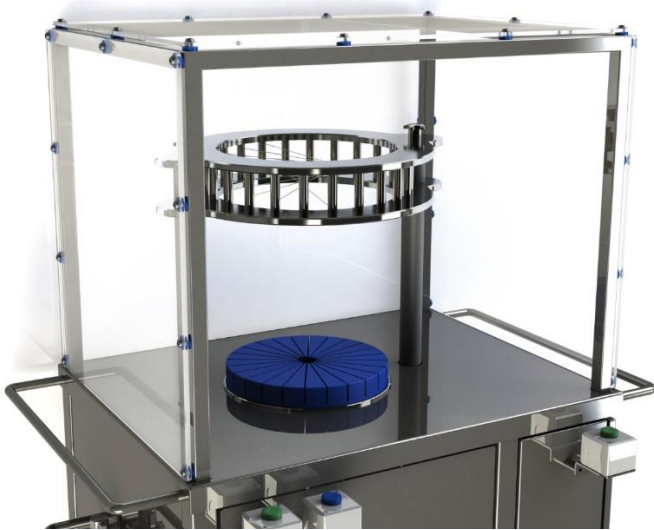


Wire Cutter R Slicing Machine

newtech
— intelligent automation —

The **Wire Cutter R** is a single stage wire cutter for **round cheese** wheel portioning.





Key Features

- Designed for cutting round cheese wheels
- Pneumatic assembly pushes a wire grid, set to the desired cut pattern, down through the product
- Cut cycle controlled by a two-handed push button operation
- Easily interchangeable wire grid, enabling multiple cut configurations

Services Required

- 6 bar Air

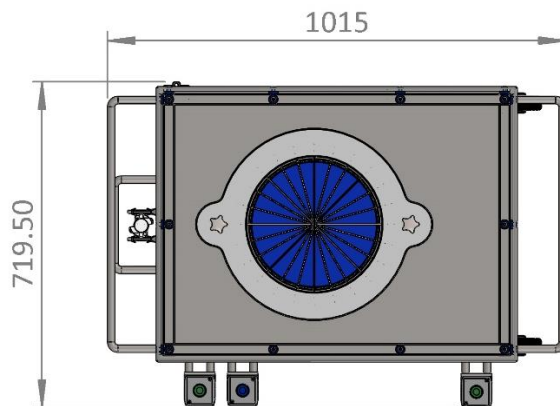
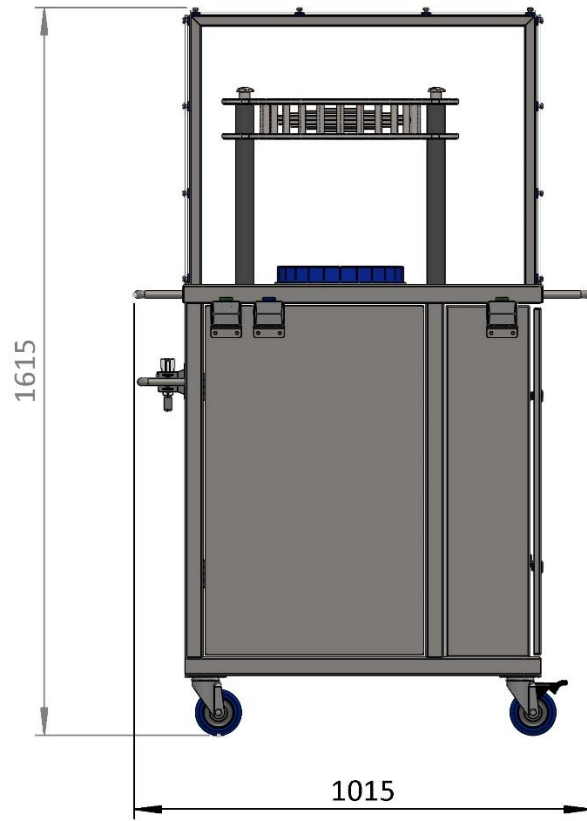
Machine Dimensions (L x D x H)

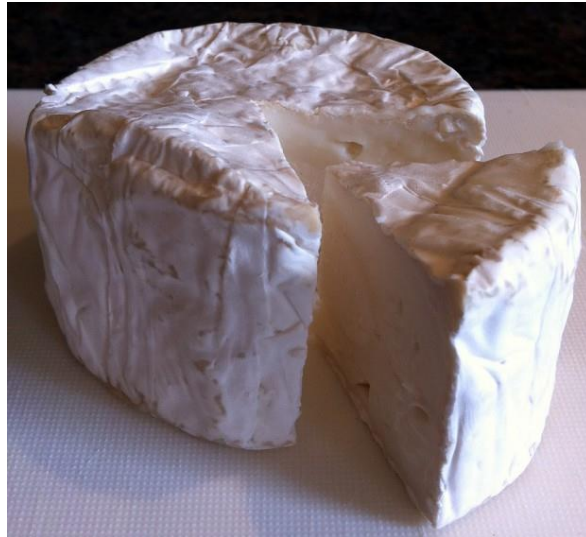
- 1015 x 719.50 x 1615mm

Additional Features

- Small footprint
- Fully Stainless Steel construction & food grade plastics
- Raised loading platform to suit specific cut configurations
- Available on lockable castor wheels or adjustable feet
- Quick release wire fittings to allow the operator to quickly and easily change a wire over and re-tension in the instance of a wire snapping
- Single wire head assembly and matching loading platform is supplied as standard. Additional parts for different cut configurations can be purchased as optional extras

Machine Layout





newtech intelligent automation

Stoke Mill, Mill Road, Sharnbrook, Bedfordshire, England, MK44 1NP

Tel: +44(0)1234 783680 Fax: +44(0)1234 782093

www.newtech-ltd.co.uk