

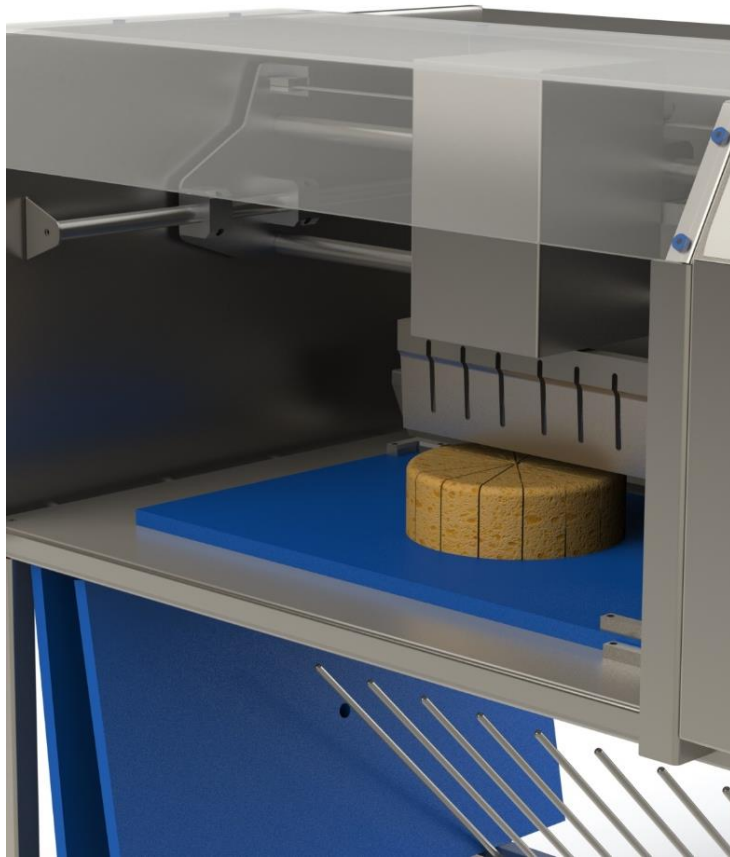
eSONIC

Ultrasonic Slicing Machine

newtech
— intelligent automation —

The **eSONIC** is a flexible, automated cutting machine incorporating ultrasonic cutting technology. It is designed to portion a large range of products, which include **tray bake** and **round cakes, pies** and **quiche**, or it can be configured to portion **loaf cakes**. Compact in design, this stand-alone solution requires minimal factory floor space and is easily movable to suit your production requirements.





Key Features

- Designed for cutting numerous products, which include tray brake, and round cakes, pies and quiche
- Full traybake 30" x 18" / 762mm x 457mm
- Rounds up to 350mm diameter, 65mm tall
- 4-Axis solution providing flexibility, reliability and accuracy
- Operated via full Colour touch screen with user friendly interface and easy-to-edit programs
- 3 user log in levels – Operator, Supervisor and Engineer
- 300mm 20kHz ultrasonic titanium blade fitted as standard
- Integrated cleaning tank with air-dry

Services Required

- Single Phase 230V 16A
- 6 bar Air
- Mains Water Supply for Cleaning Tank
- Ethernet Connection for Remote Access

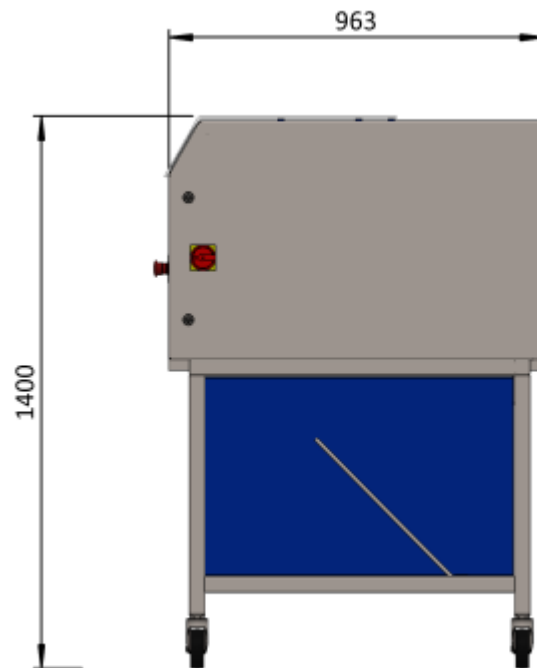
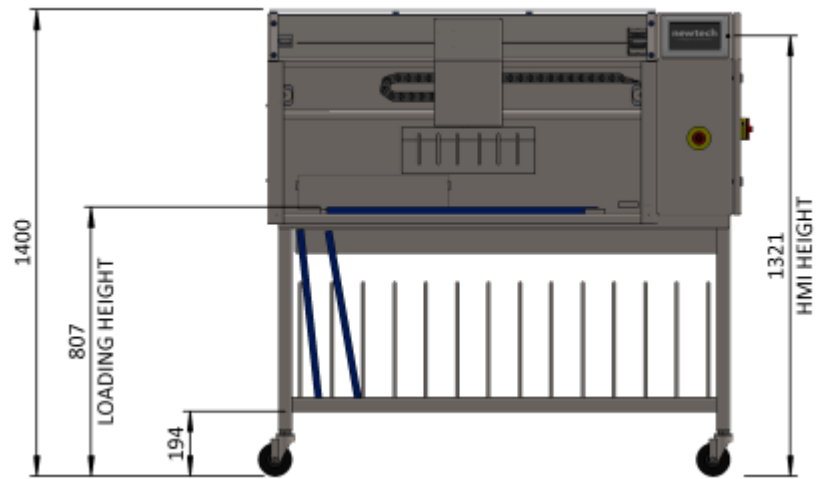
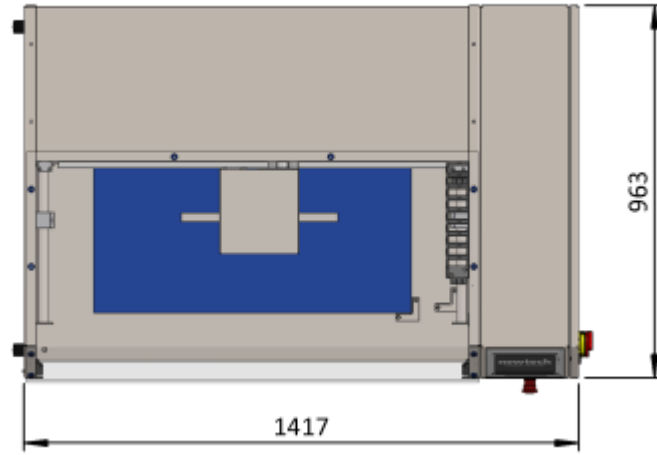
Machine Dimensions (L x D x H)

- 1417 x 963 x 1400mm

Additional Features

- Cut on nested product boards
- Small footprint
- Fully Stainless Steel construction & food grade plastics
- Remote access capability
- Safety light curtain
- Product board storage location underneath machine
- Range of blade size options to suit your application
- Also available with a mechanical blade

Machine Layout





newtech intelligent automation

Stoke Mill, Mill Road, Sharnbrook, Bedfordshire, England, MK44 1NP

Tel: +44(0)1234 783680 Fax: +44(0)1234 782093