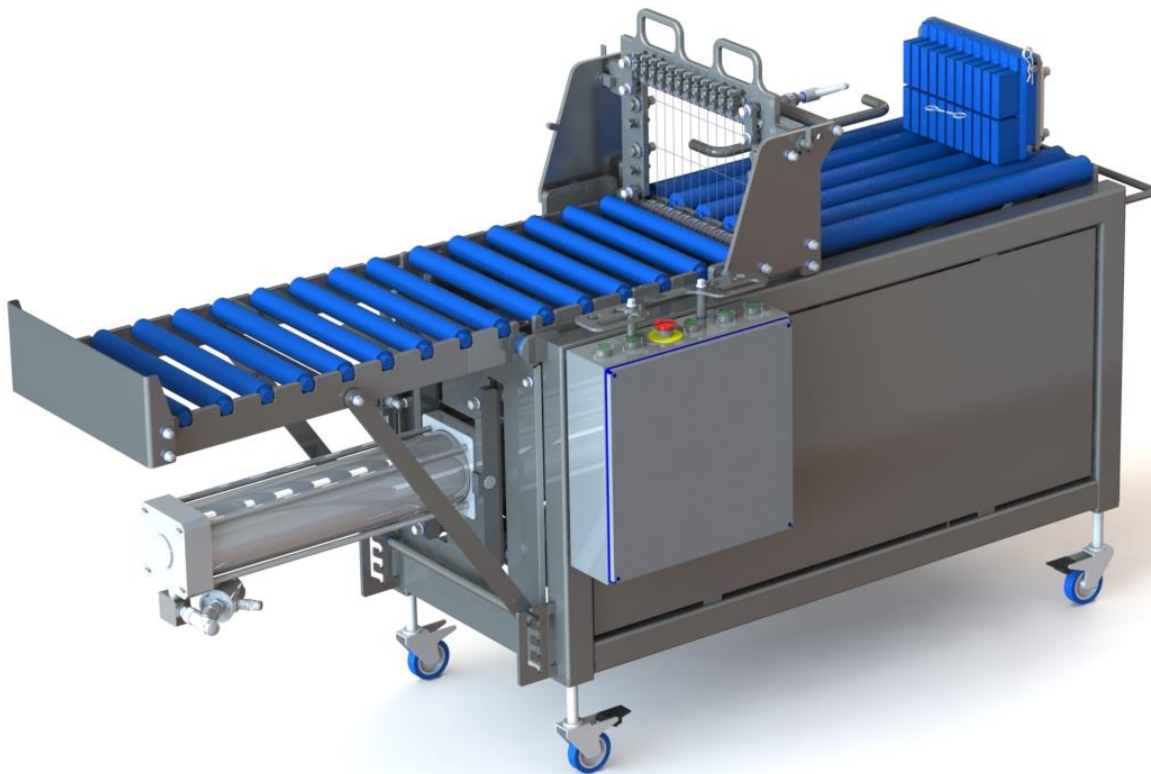
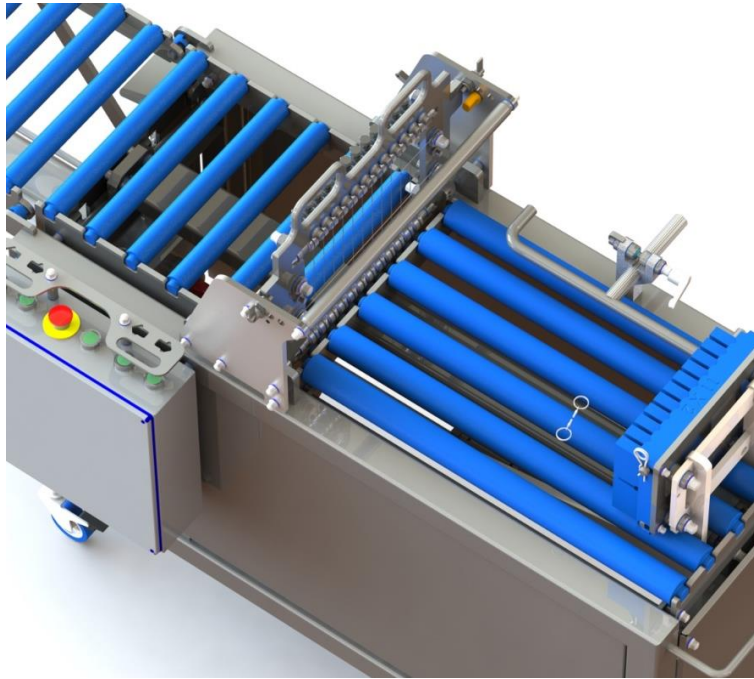


Wire Cutter B Slicing Machine

newtech
— intelligent automation —

The **Wire Cutter B** is a single stage wire cutter for **block cheese** portioning.





Key Features

- Designed for cutting block cheese
- Infeed roller bed
- Pneumatic assembly pushes the product through a wire grid, set to the desired cut pattern
- Cut cycle controlled by a two-handed push button operation
- Cut blocks are buffered on a declined outfeed roller bed, ready to be manually removed
- Easily interchangeable wire grid, enabling multiple cut configurations

Services Required

- 6 bar Air

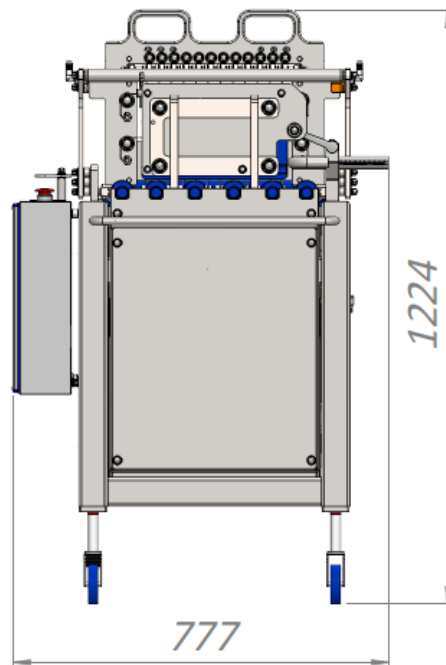
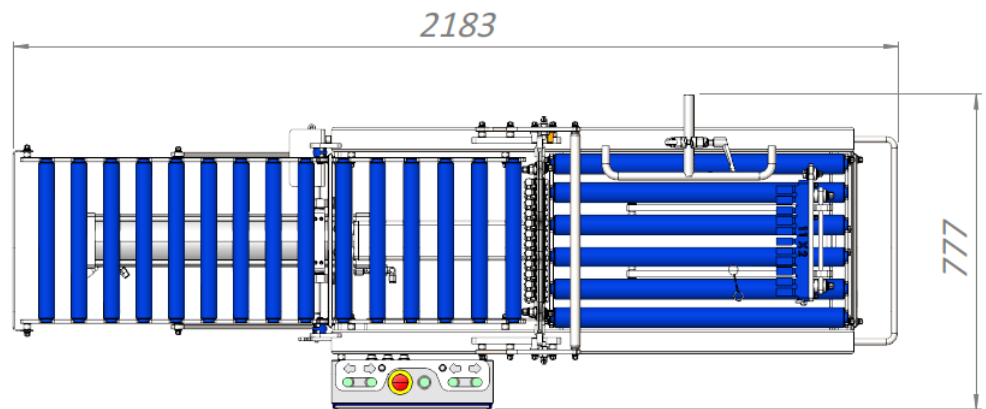
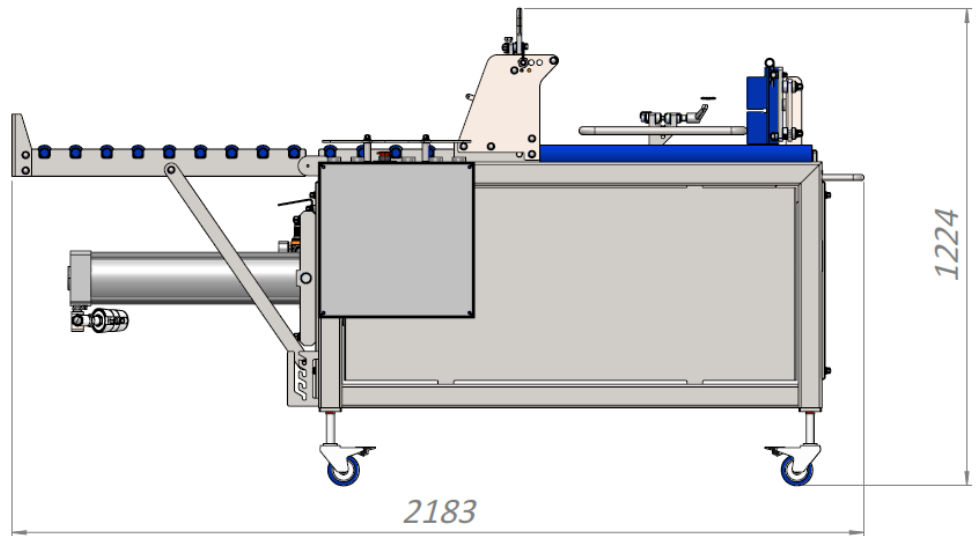
Machine Dimensions (L x D x H)

- 2183 x 777 x 1224mm

Additional Features

- Small footprint
- Fully Stainless Steel construction & food grade plastics
- Pusher assembly features a pusher block that contains grooves to match the cut configuration of the wire grid, allowing it to partially pass through the wires, ensuring all of the cheese block is pushed through and cut
- Lockable castor wheels
- Quick release wire fittings to allow the operator to quickly and easily change a wire over and re-tension in the instance of a wire snapping
- Single wire head assembly and matching pusher block is supplied as standard. Additional parts for different cut configurations can be purchased as optional extras

Machine Layout





newtech intelligent automation

Stoke Mill, Mill Road, Sharnbrook, Bedfordshire, England, MK44 1NP

Tel: +44(0)1234 783680 Fax: +44(0)1234 782093