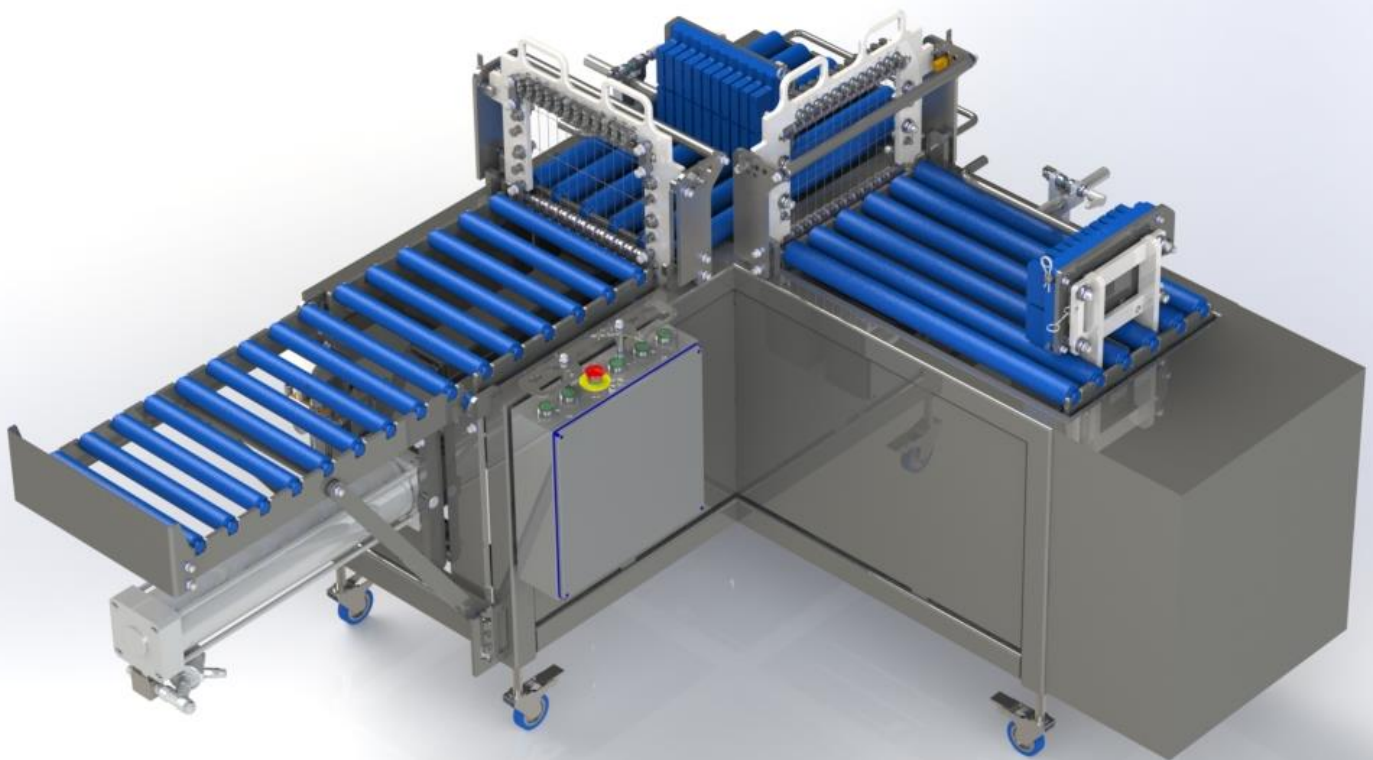
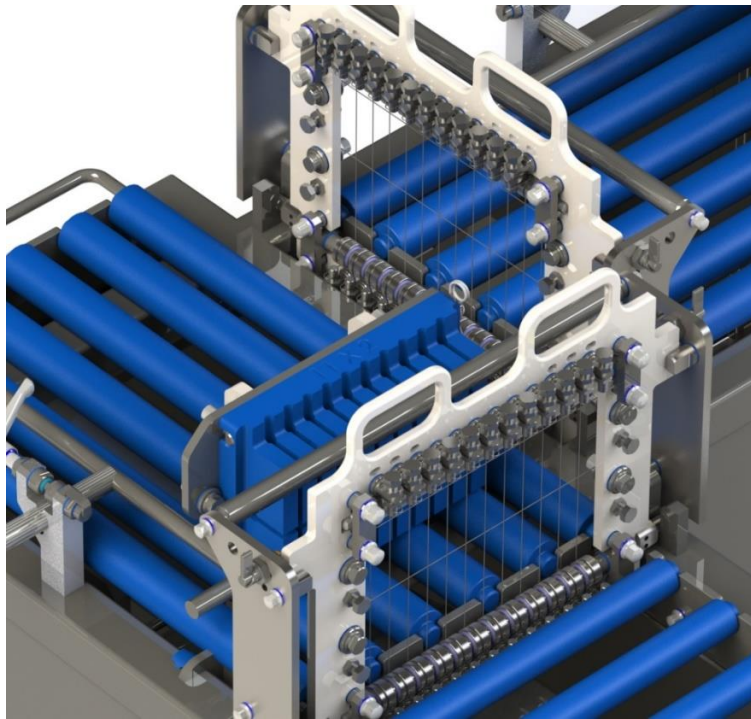


# Wire Cutter 2B Slicing Machine

**newtech**  
— intelligent automation —

The **Wire Cutter 2B** is a two-stage wire cutter for **block cheese** portioning, allowing for blocks to be processed down to portions on a single machine.





### Key Features

- Designed for cutting block cheese
- Infeed roller bed
- 2 x Pneumatic assemblies push the product through wire grids, the first cuts the product into logs and the second into portions
- Cut cycle controlled by a two-handed push button operation
- Cut blocks are buffered on a declined outfeed roller bed, ready to be manually removed
- Easily interchangeable wire grids, enabling multiple cut configurations

### Services Required

- 6 bar clean and dry air

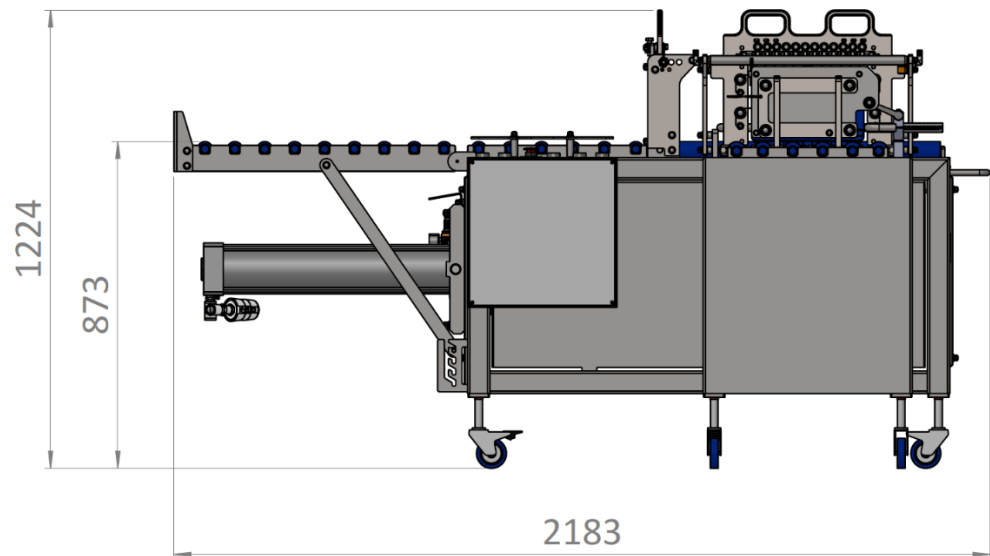
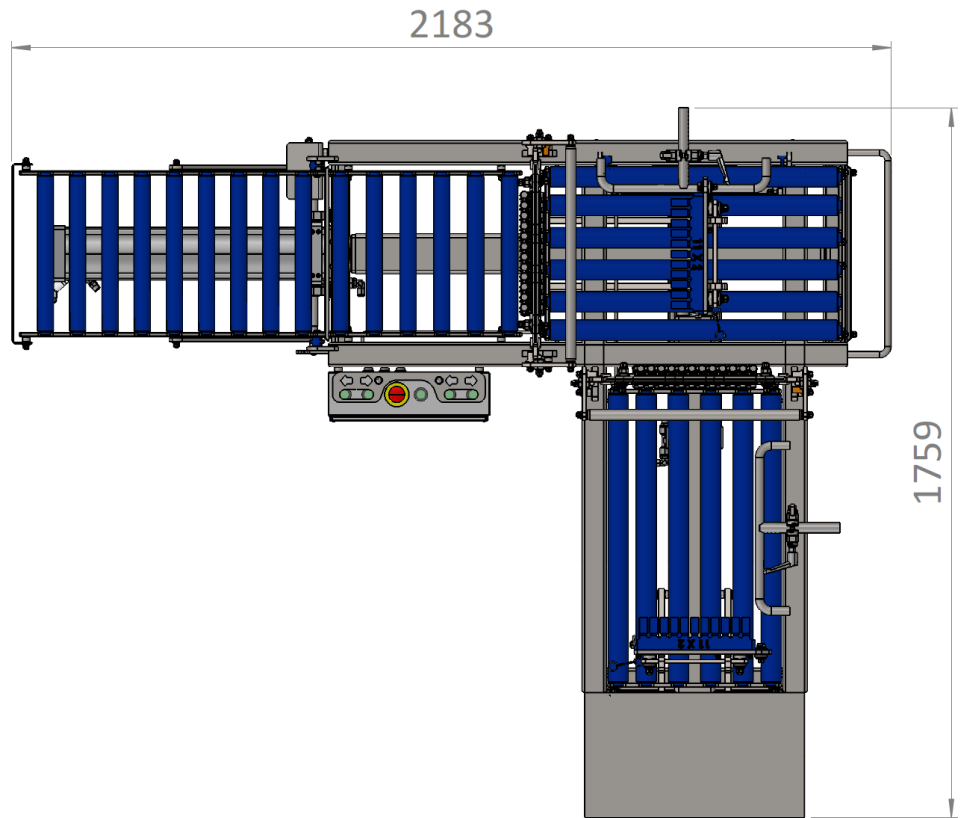
### Machine Dimensions (L x D x H)

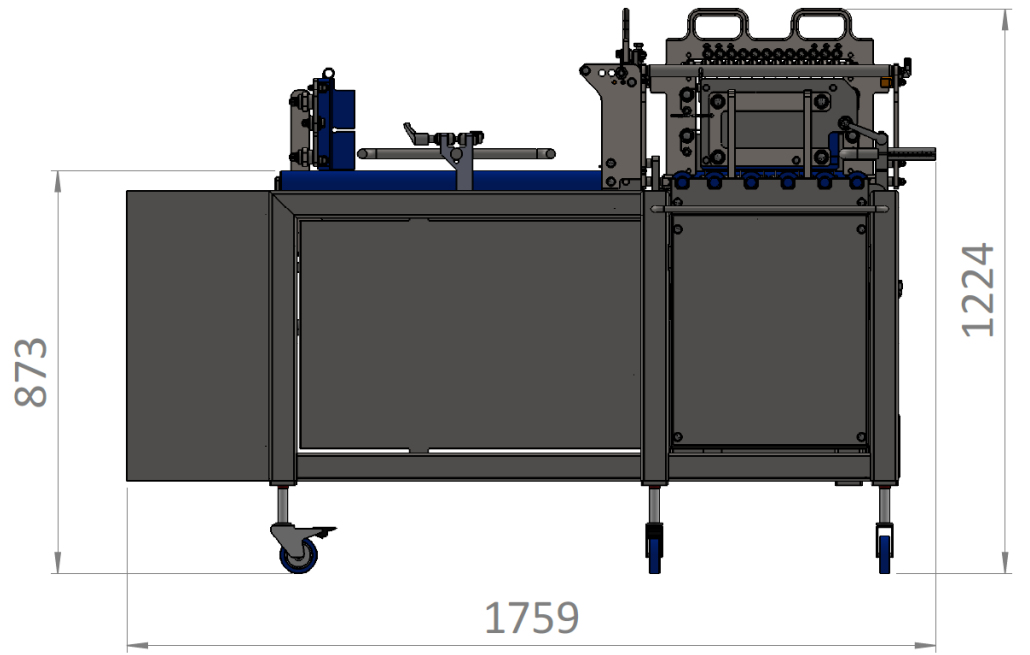
- 2183 x 1759 x 1224mm

### Additional Features

- Small footprint
- Fully Stainless Steel construction & food grade plastics
- Pusher assemblies feature pusher blocks that contain grooves to match the cut configuration of the wire grid, allowing it to partially pass through the wires, ensuring all of the cheese block is pushed through and cut
- Lockable castor wheels
- Simple fittings to allow the operator to quickly and easily change a wire over and re-tension in the instance of a wire snapping
- Single wire head assembly and matching pusher block is supplied for each of the two cutting areas as standard. Additional parts for different cut configurations can be purchased as optional extras

## Machine Layout







**newtech intelligent automation**

Stoke Mill, Mill Road, Sharnbrook, Bedfordshire, England, MK44 1NP

Tel: +44(0)1234 783680 Fax: +44(0)1234 782093