

Inline T Mechanical Slicer

newtech
— intelligent automation —

The **Inline T** is a highly flexible, in-line cutting machine, which uses a mechanical blade to portion **sticks of cheese** and other log/block type products into different slice thicknesses. As a conveyor-based machine, it can be integrated into an existing line or used as a stand-alone solution.





Key Features

- Designed for slicing stick/log/block type products
- Mechanical blade mounted on servo driven linear actuator with integrated pneumatic product hold down plates
- Operated via full Colour touch screen with user friendly interface and easy-to-edit programs
- 3 user log in levels – Operator, Supervisor and Engineer
- Remote access capability

Services Required

- 3 phase electrical supply
- 6 bar Air
- Ethernet Connection for Remote Access

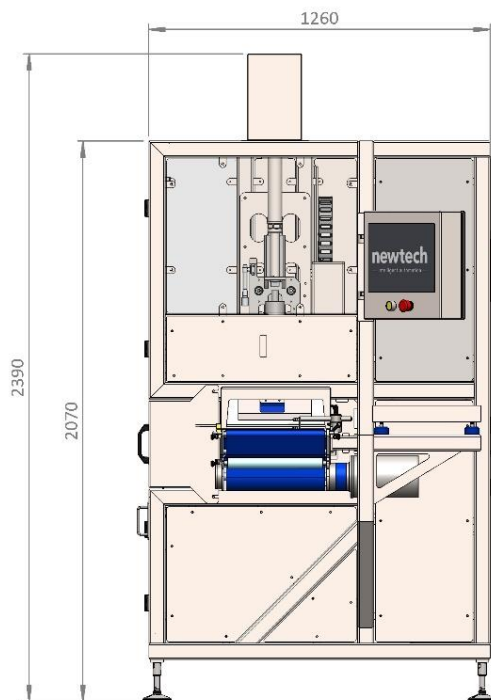
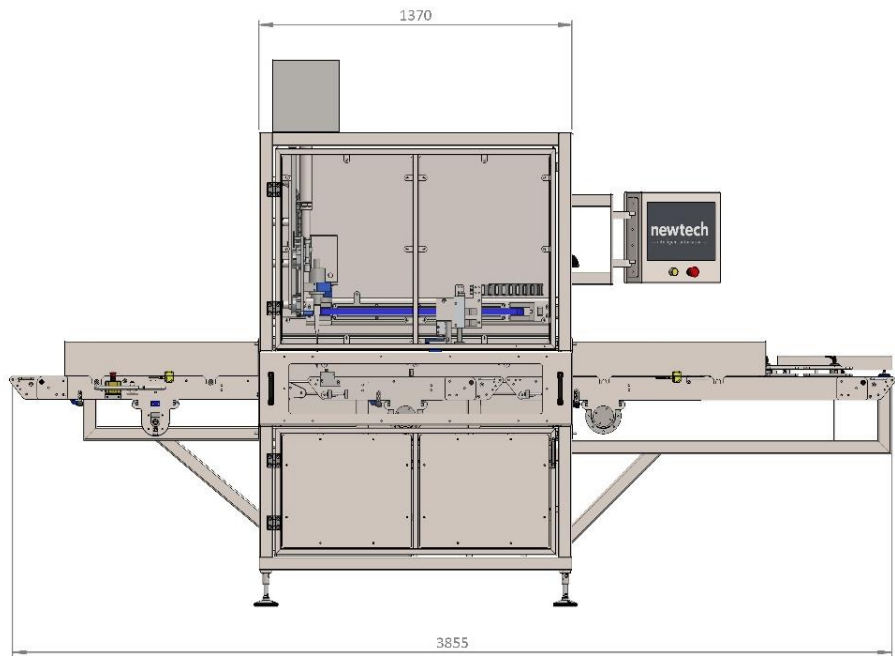
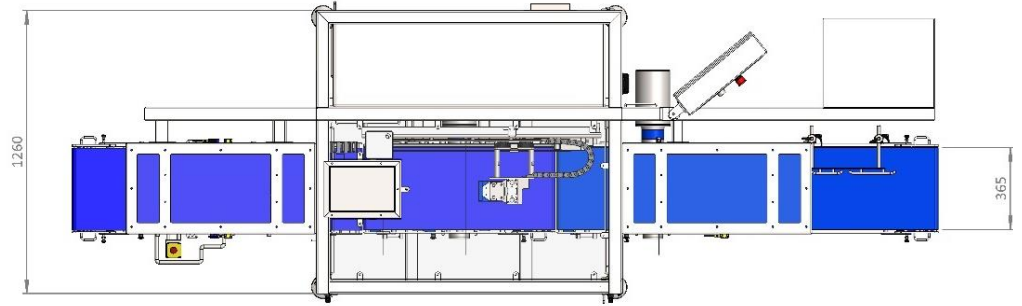
Machine Dimensions (L x D x H)

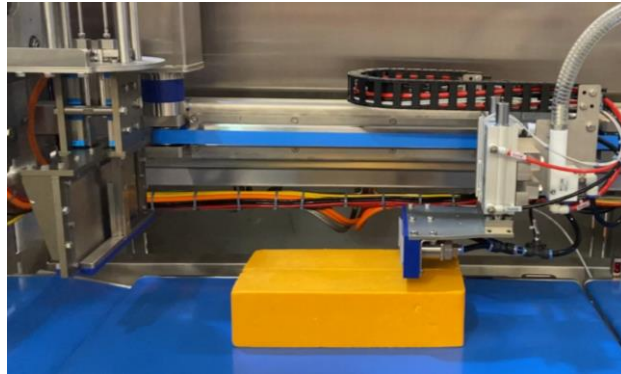
- 3855 x 1260 x 2390mm

Additional Features

- Servo driven product support indexes in sync with the portioning conveyor to ensure the product does not move backwards during the cutting process
- Servo driven Loading and portioning conveyors
- Fixed portion and fixed weight operating modes
- Fully Stainless Steel construction & food grade plastics
- Quick-release conveyor belt for ease of removal
- Range of blade size options to suit your application
- Also available with Weigh Scale option – allowing individual products to be weighed prior to processing
- 3D Vision available as an optional extra

Machine Layout





newtech intelligent automation

Stoke Mill, Mill Road, Sharnbrook, Bedfordshire, England, MK44 1NP

Tel: +44(0)1234 783680 Fax: +44(0)1234 782093

www.newtech-ltd.co.uk